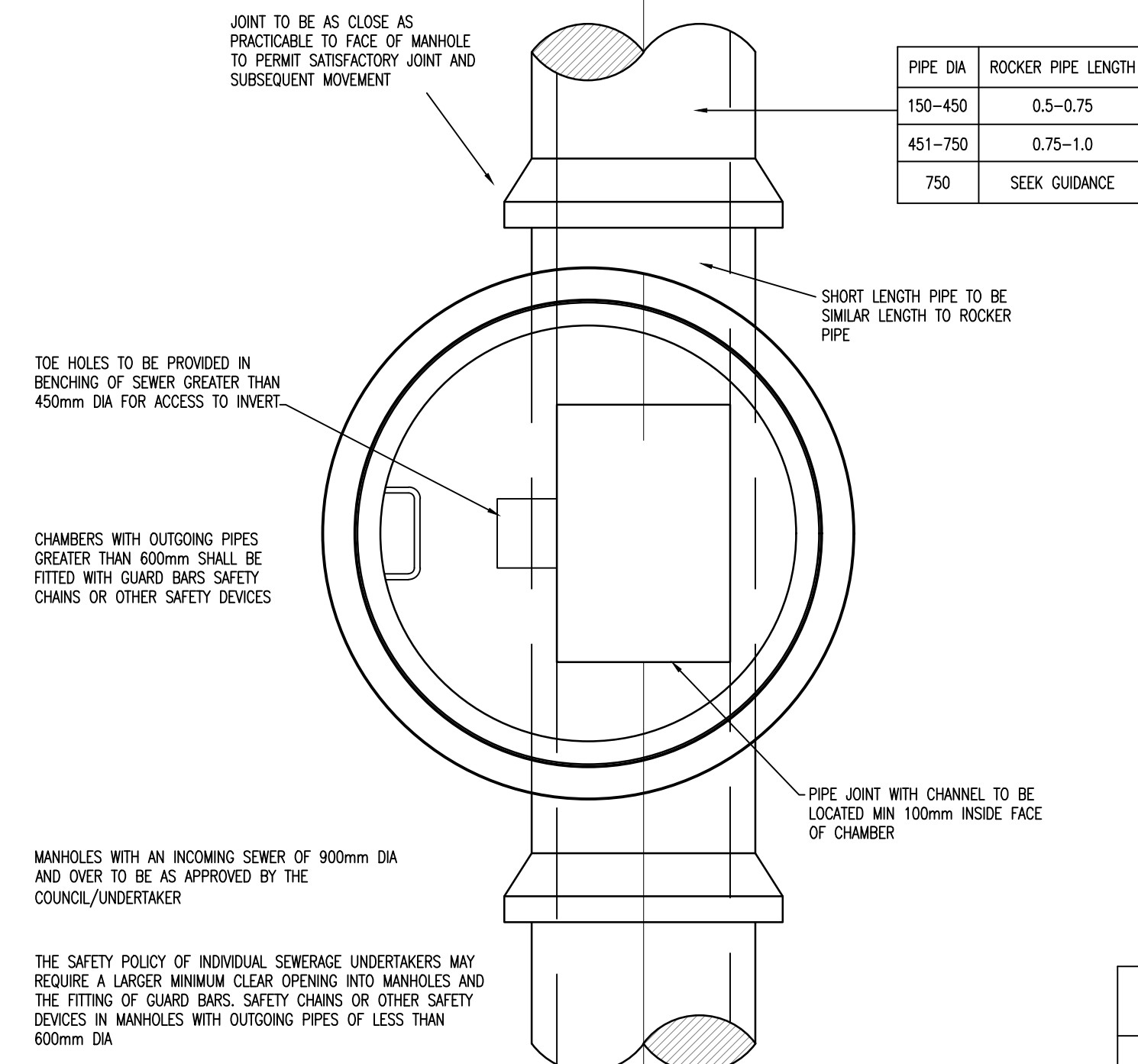
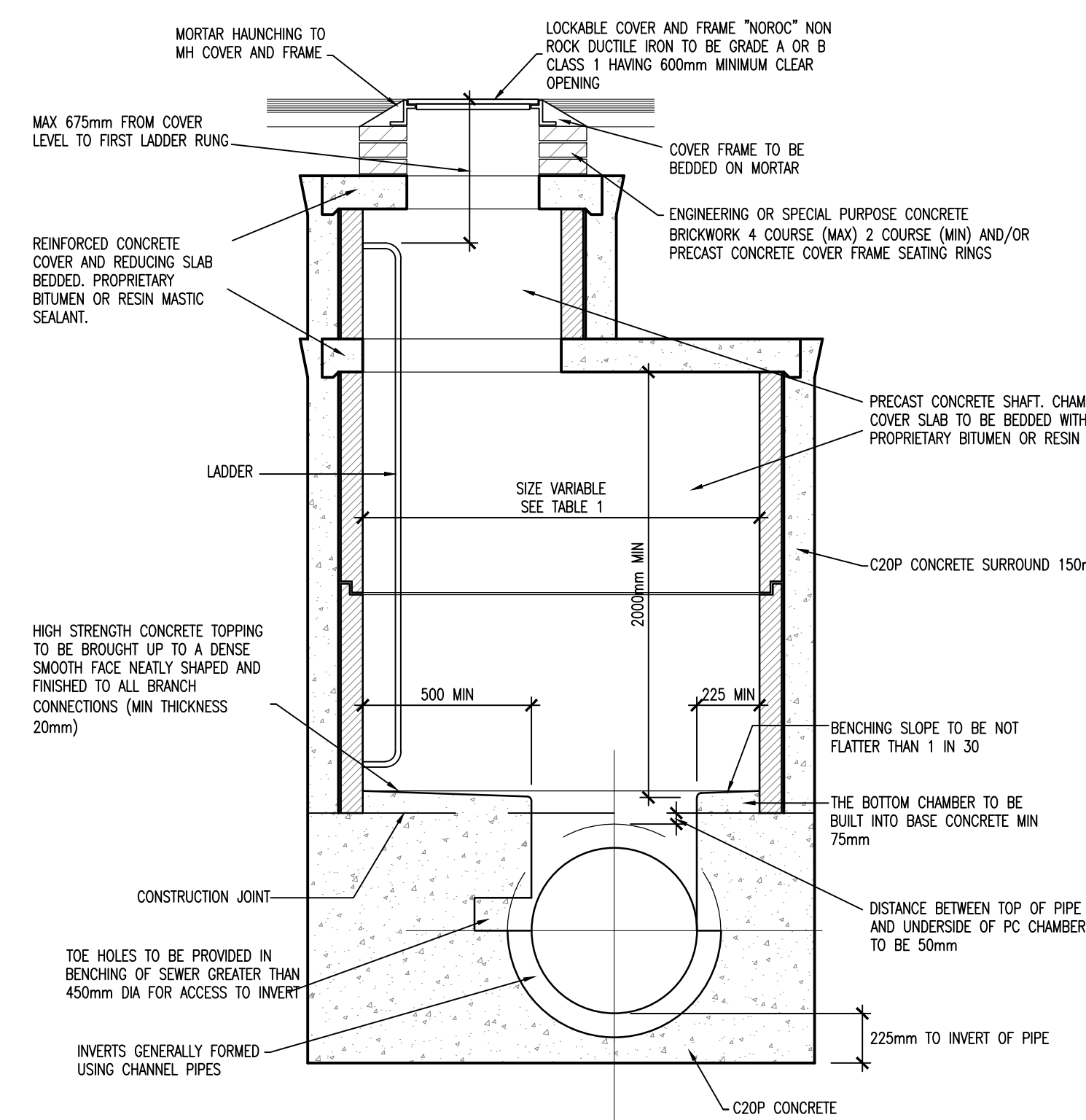


**GENERAL NOTES:**

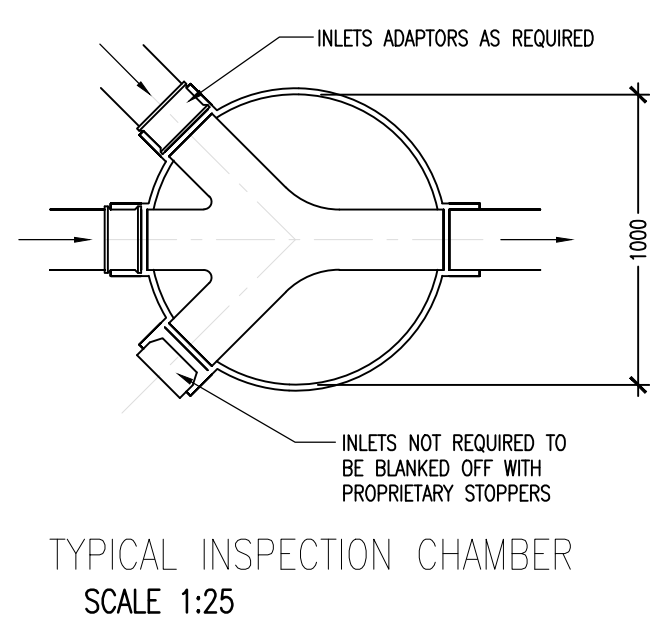
- REFER TO ARCHITECTS DRAWINGS FOR ALL SITE & APPLICATION BOUNDARIES
- THIS DRAWING IS TO BE READ IN CONJUNCTION WITH ALL OTHER RELEVANT ENGINEER'S DRAWINGS AND SPECIFICATIONS
- USE FIGURED DIMENSIONS ONLY. DO NOT SCALE
- FOR ALL FLOOR LEVELS, ROAD LEVELS & ALL EXTERNAL YARD / GARDEN LEVELS REFER TO ARCHITECT'S DRAWINGS
- REFER TO SURVEY DRAWINGS FOR EXISTING SERVICES LAYOUTS AND MANHOLE INFORMATION



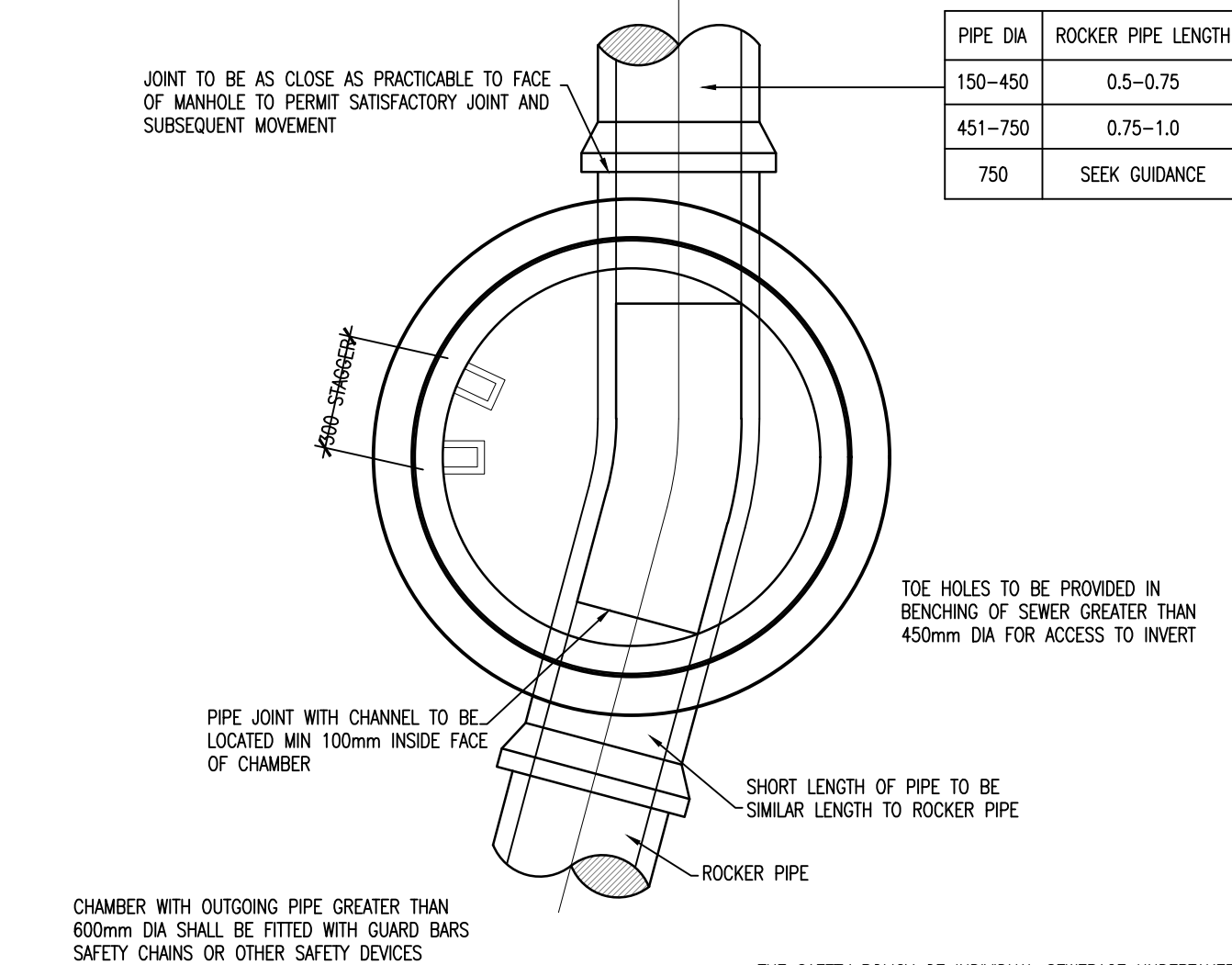
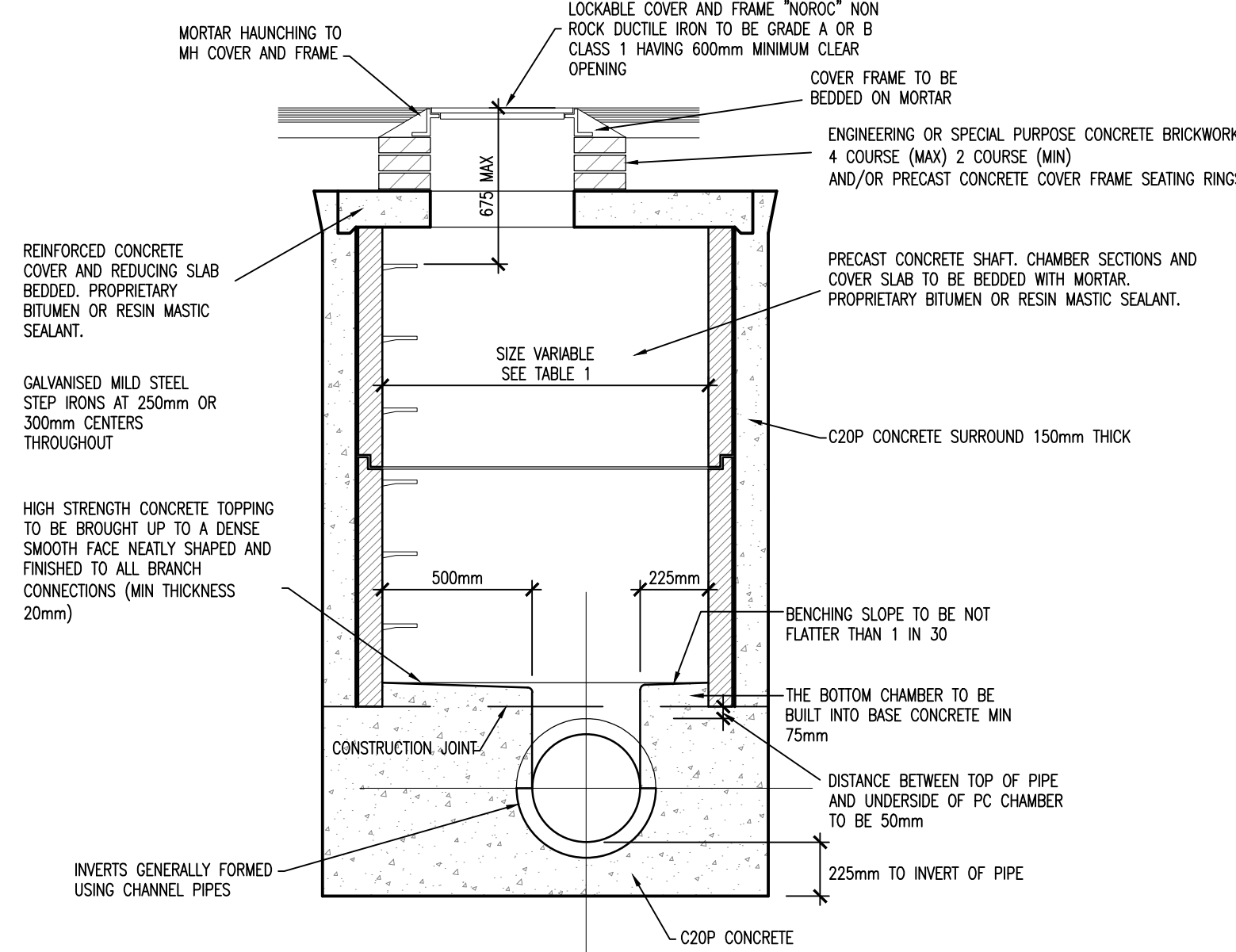
TYPICAL MANHOLE DETAIL - TYPE A  
DEPTH TO SOFFIT 3 TO 6m  
SCALE 1:25

TABLE 1

DIAMETER OF LARGEST PIPE IN MANHOLE (mm)	CHAMBER SECTION DIAMETER (mm)
LESS THAN 375	1200 (1050 WHERE DEPTH TO SOFFIT IS 1.35m - 1.5m)
375 - 450	1350
500 - 700	1500
750 - 900	1800

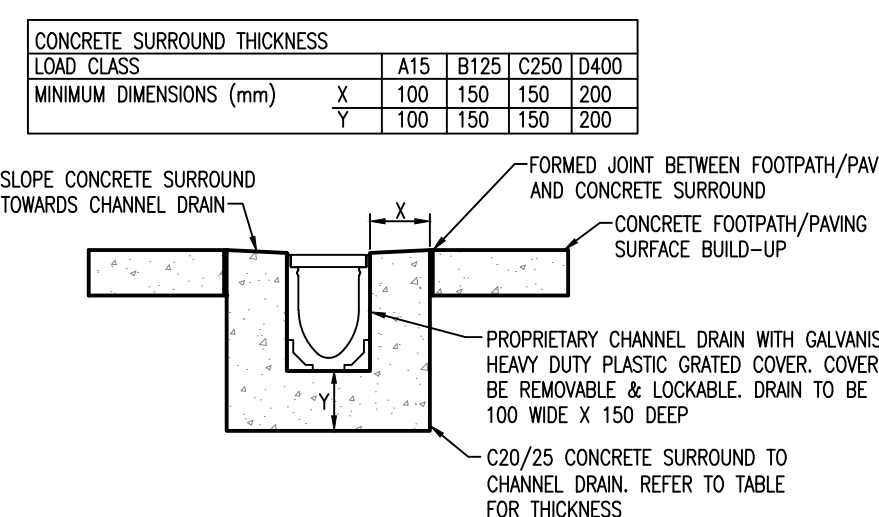


TYPICAL INSPECTION CHAMBER  
SCALE 1:25

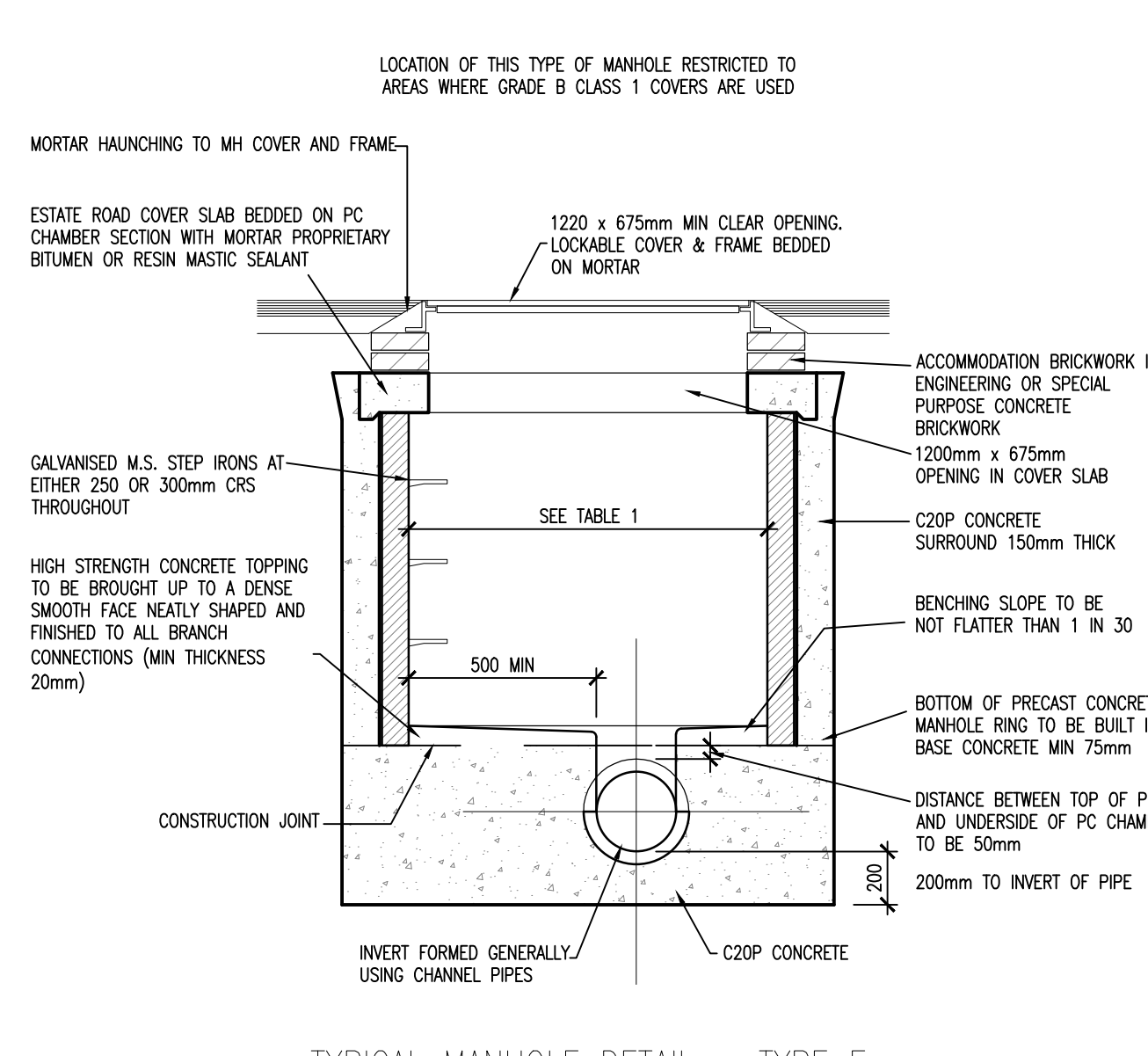


TYPICAL MANHOLE DETAIL - TYPE B  
DEPTH TO SOFFIT 1.35 TO 3m  
SCALE 1:25

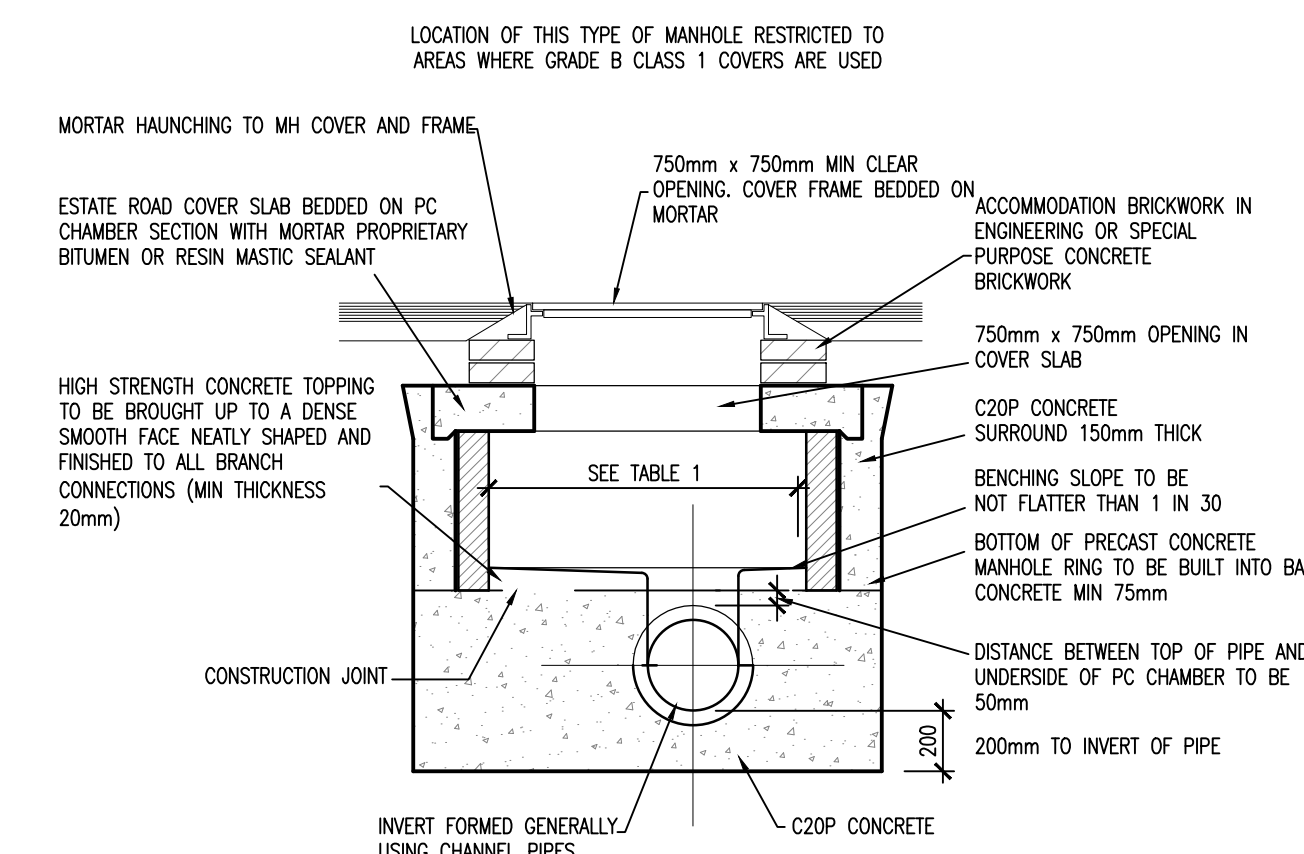
PIPE SIZE	100% PASSING
UP TO 225mm	10mm SIEVE
225 TO 450mm	20mm SIEVE
ABOVE 450mm	25mm SIEVE



TYPICAL CHANNEL DRAIN  
SCALE 1:25

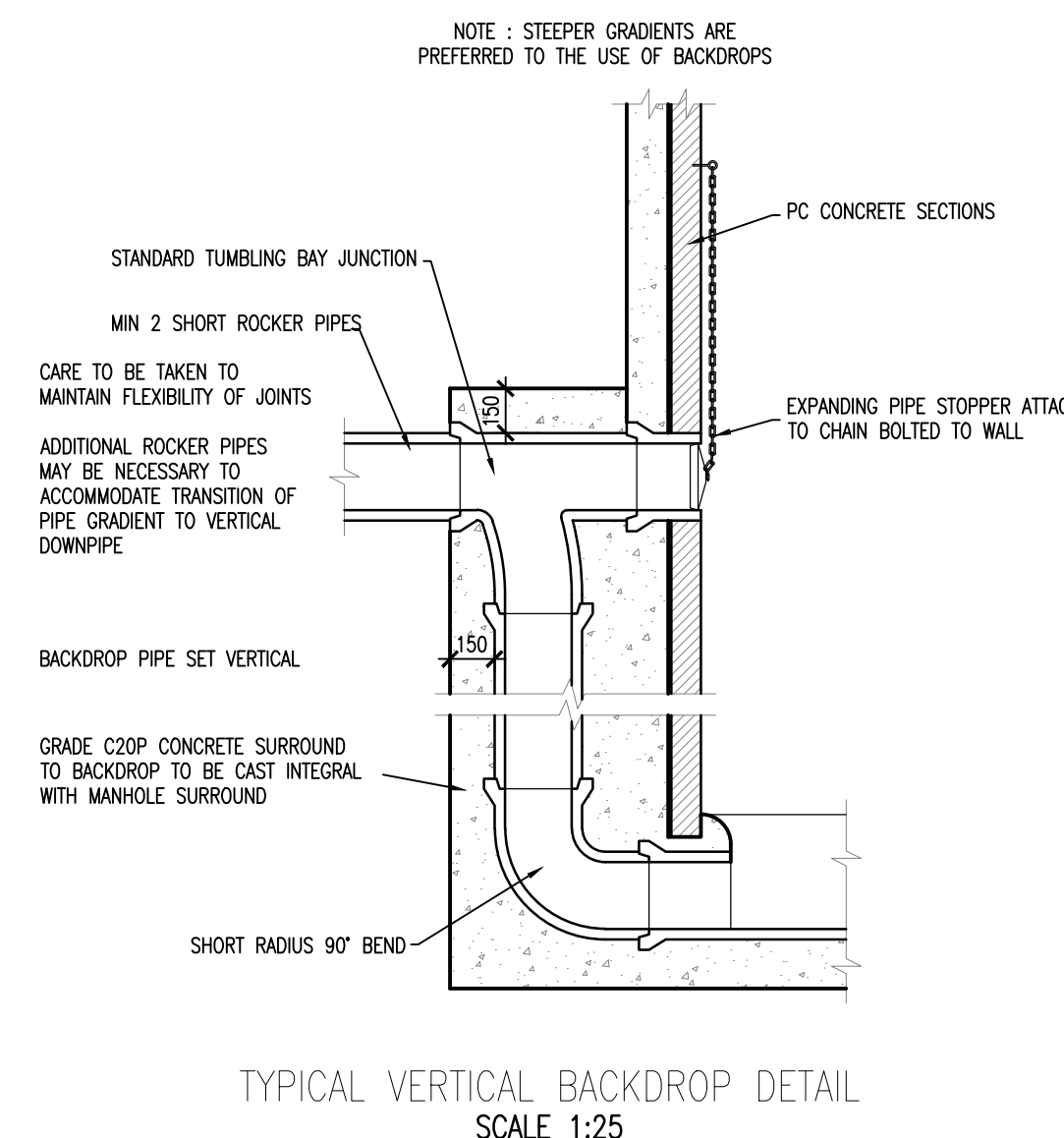


TYPICAL MANHOLE DETAIL - TYPE E  
DEPTH TO SOFFIT 1.0 TO 1.35m  
SCALE 1:25



TYPICAL MANHOLE DETAIL - TYPE F  
DEPTH TO SOFFIT LESS THAN 1.0m  
SCALE 1:25

- ALL SEWERS SHALL BE PRESSURE TESTED PRIOR TO BACKFILLING
- TYPE 1 GRANULAR MATERIAL : BROKEN STONE OR GRAVEL TO PASS 10mm SIEVE AND BE RETAINED ON 5mm SIEVE.
- TYPE 2 GRANULAR MATERIAL : BROKEN STONE OR GRAVEL TO PASS 10mm - 25mm SIEVE, ACCORDING TO PIPE SIZE, (SEE TABLE) AND BE RETAINED ON 5mm SIEVE.
- TYPE 3 SELECTED FILL : UNIFORM READILY COMPACTED MATERIAL FREE FROM TREE ROOTS, VEGETABLE MATTER, BUILDING DEBRIS, AND FROZEN SOIL AND EXCLUDING CLAY LUMPS RETAINED ON A 75mm SIEVE AND STONES RETAINED ON A 37.5mm SIEVE.
- RIGID PIPES SHALL MEAN CAST OR SPUN IRON, CONCRETE OR CLAY.



TYPICAL VERTICAL BACKDROP DETAIL  
SCALE 1:25

**MANHOLE COVERS & DRAINAGE GRATINGS, LOAD CLASSIFICATION & PRODUCT MARKINGS**

GROUP	MINIMUM CLASS	AREAS WHICH CAN ONLY BE USED BY PEDESTRIANS AND PEDAL CYCLISTS
GROUP 1	MINIMUM CLASS A15	AREAS WHICH CAN ONLY BE USED BY PEDESTRIANS AND PEDAL CYCLISTS
GROUP 2	MINIMUM CLASS B125	FOOTWAYS, PEDESTRIAN AND COMPARABLE AREAS, CAR PARKS OR CAR PARKING DECKS
GROUP 3	MINIMUM CLASS B250	FOR GULLY TOPS INSTALLED IN THE AREA OF KERBSIDE CHANNELS OF ROADS WHICH WHEN MEASURED FROM THE ROAD EDGE, EXTEND A MAXIMUM OF 0.5m INTO THE CARRIAGEWAY AND A MAXIMUM OF 0.2m INTO THE FOOTWAY
GROUP 4	MINIMUM CLASS D400 (NOROC)	CARRIAGEWAYS OF ROADS (INCLUDING PEDESTRIAN STREETS), HARD SHOULDERS AND PARKING AREAS, FOR ALL TYPES OF ROAD VEHICLES
GROUP 5	MINIMUM CLASS E600	AREAS IMPOSING HIGH WHEEL LOADS E.G. DOCKS, AIRCRAFT PAVEMENTS
GROUP 6	MINIMUM CLASS F900	AREAS IMPOSING PARTICULARLY HIGH WHEEL LOADS, E.G. AIRCRAFT PAVEMENTS

**PLANNING ISSUE**

S2.P02	ISSUED FOR PLANNING	12.12.2022	KD	AL
S2.P01	ISSUED FOR PLANNING	08.12.2022	KD	AL
Rev.	Note	Date	Drawn	Check

**DONNACHADH O'BRIEN & ASSOCIATES CONSULTING ENGINEERS**

UNIT 5C  
ELM HOUSE  
MILLENNIUM PARK  
NAAS  
CO. KILDARE

PHONE  
+353 45 984 042

INFO@DOBRIEN-ENGINEERS.IE  
WWW.DOBRIEN-ENGINEERS.IE

Client: WESTAR HOMES LTD

Project: FINLAY PARK

Drawing Title: PROPOSED TYPICAL MANHOLE DETAILS

Drawn By: MJC	Checked By: AL	Approved By: DOB	Date: SEP 2022	Scale: AS SHOWN	Sheet Size: A1
Project Number: DOBA2110	Drawing Number: FINLAY-DOB- XX-SI- DR-C-0100	Status Code: S2	Rev Number: P02		